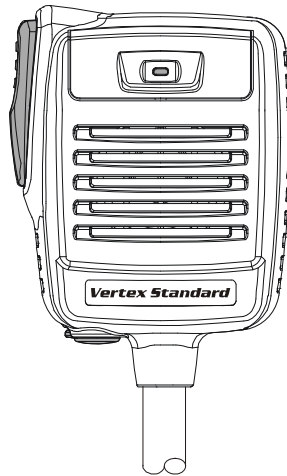
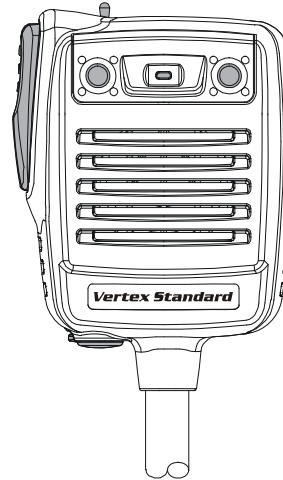


The MH-66 is a Speaker Microphone designed especially for Vertex Standard transceivers*.

*: Check with the latest Vertex Product Catalog for a list of the transceivers that can be used with each version.



MH-66A4B/A7A



MH-66B7A

Specifications

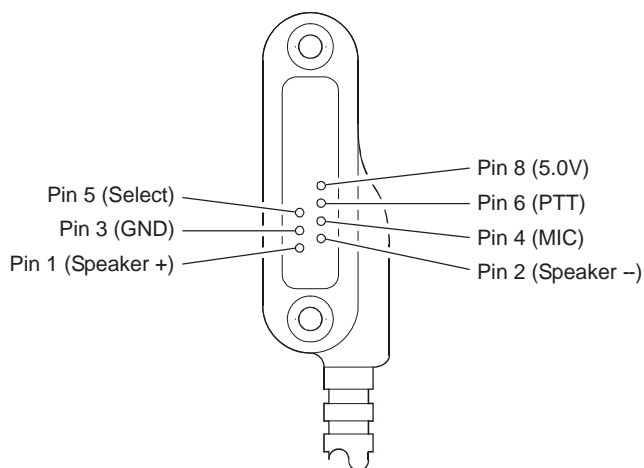
Microphone Impedance: 2.2k-ohm at 1 kHz

Speaker Impedance: MH-66A4B: 4-ohm, MH-66A7A/B7A: 16-ohm

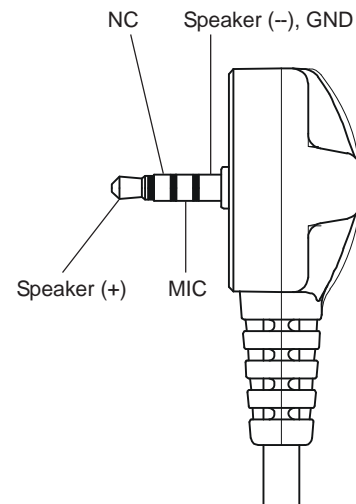
Speaker Input: max. 0.6W

Weight (approx.): 170g

Connector Pinout Diagram

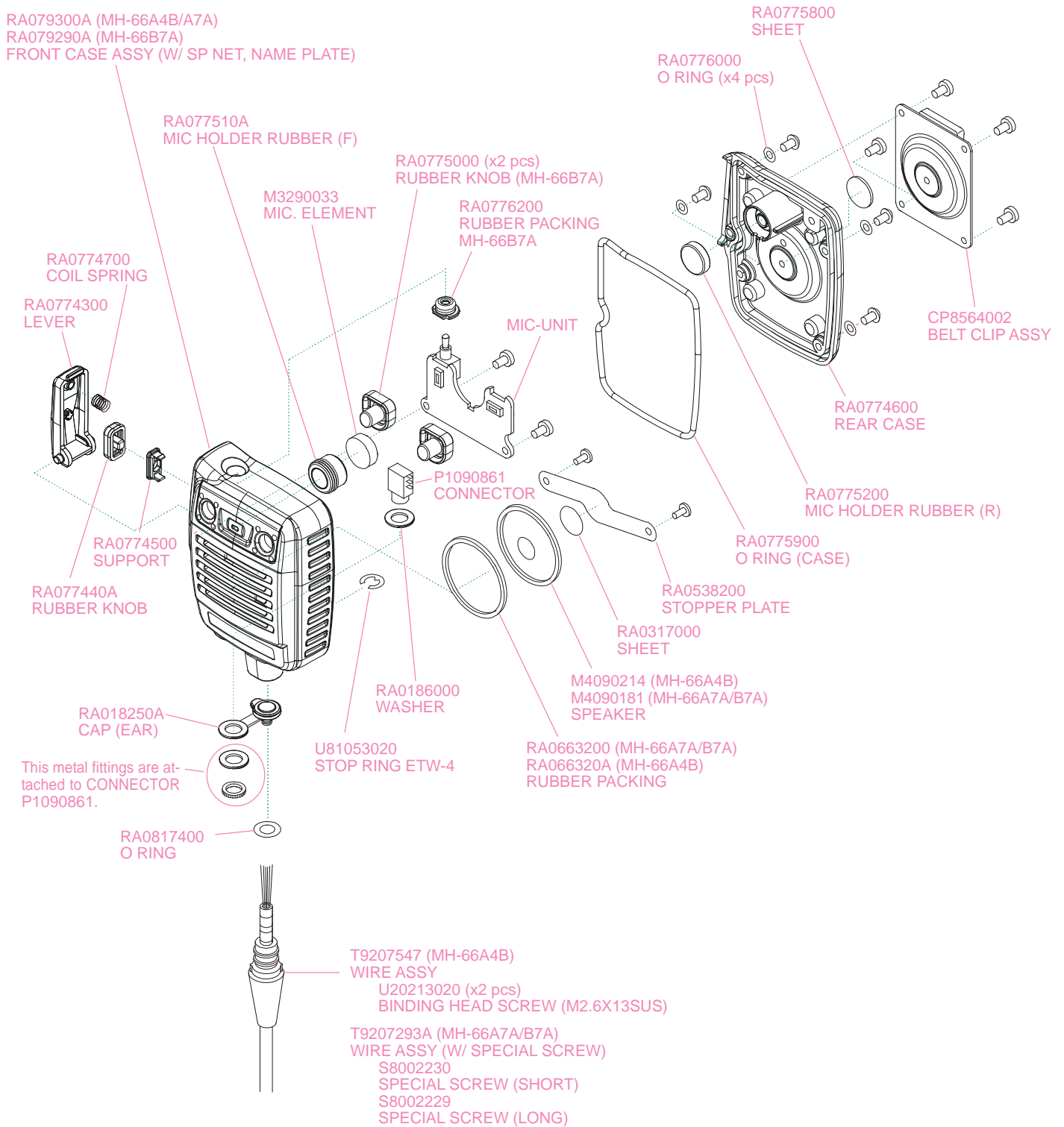


MH-66A7A/B7A



MH-66A4B

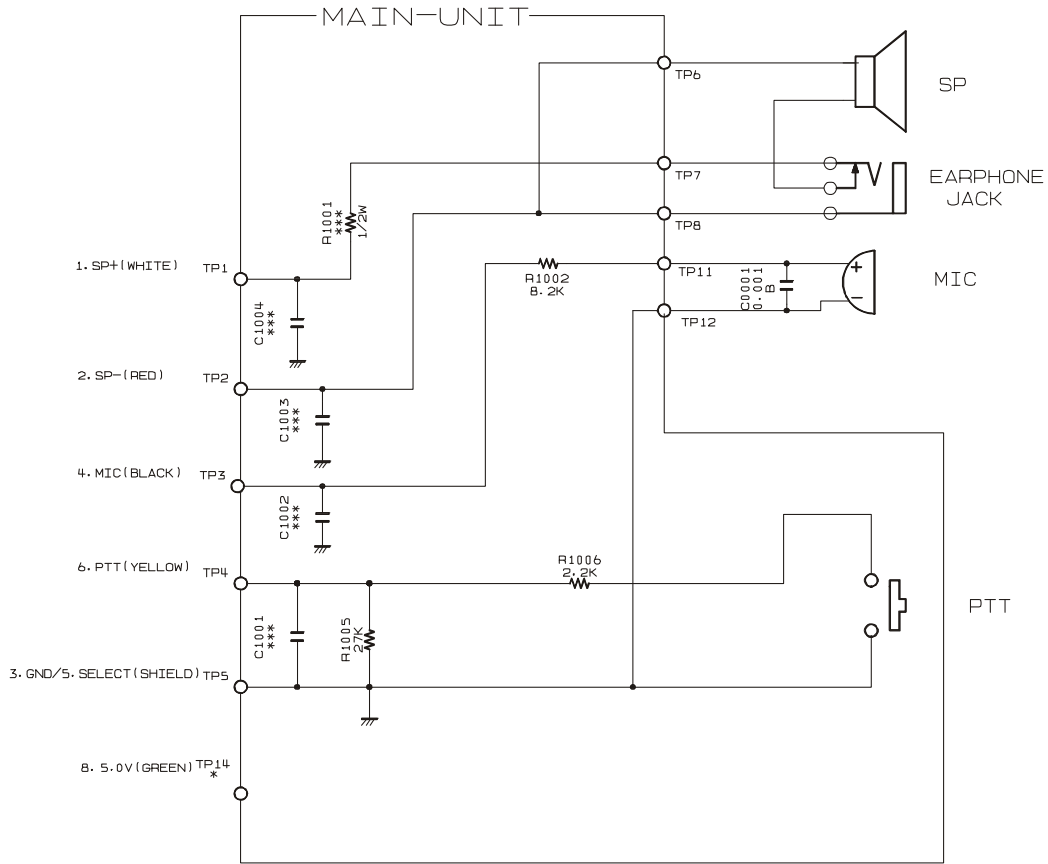
Exploded View



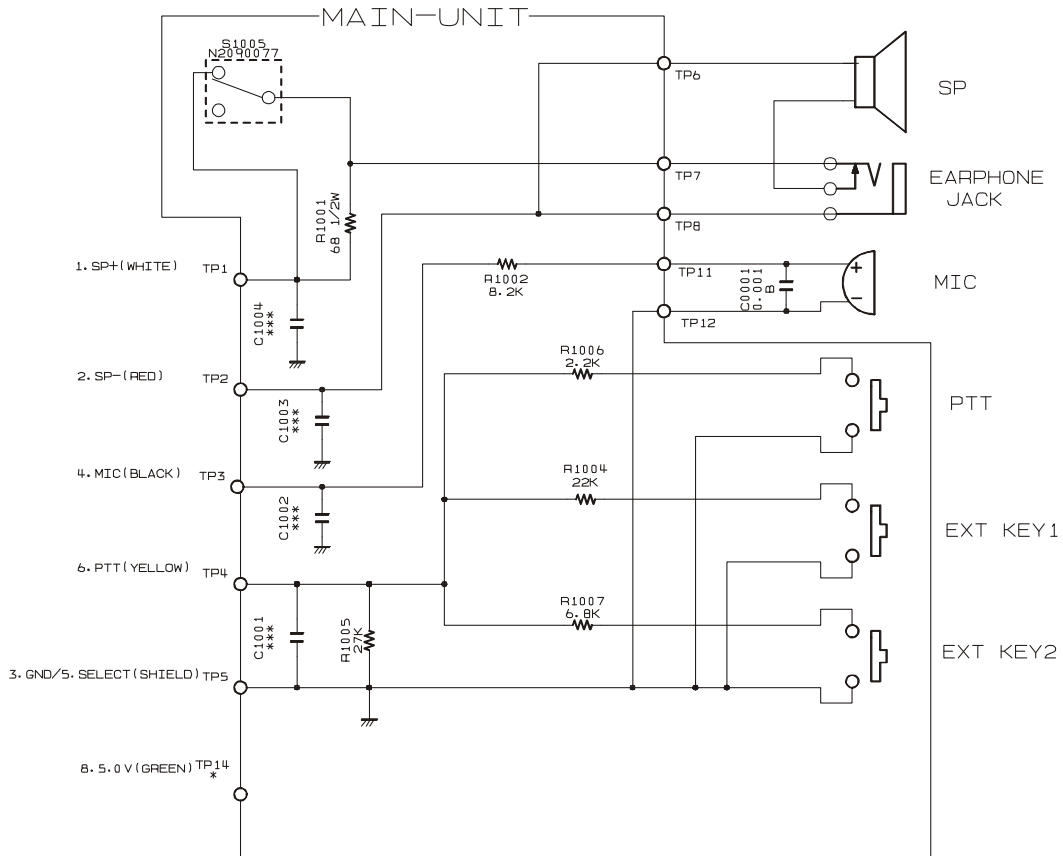
Ref.	VXSTD P/N	Description	Qty.
	U9900094	TAPTITE SCREW M2X5NI#2	2
	U24206002	TAPTITE SCREW M2.6X6NI	2
	U9900197	TAPTITE SCREW 2.6X10SUS	4
	U9900196	TAPTITE SCREW 2.6X6SUS	4

Non-designated parts are available only as part of a designated assembly.

MH-66A7A Circuit Diagram (Lot. 1 ~ 93)

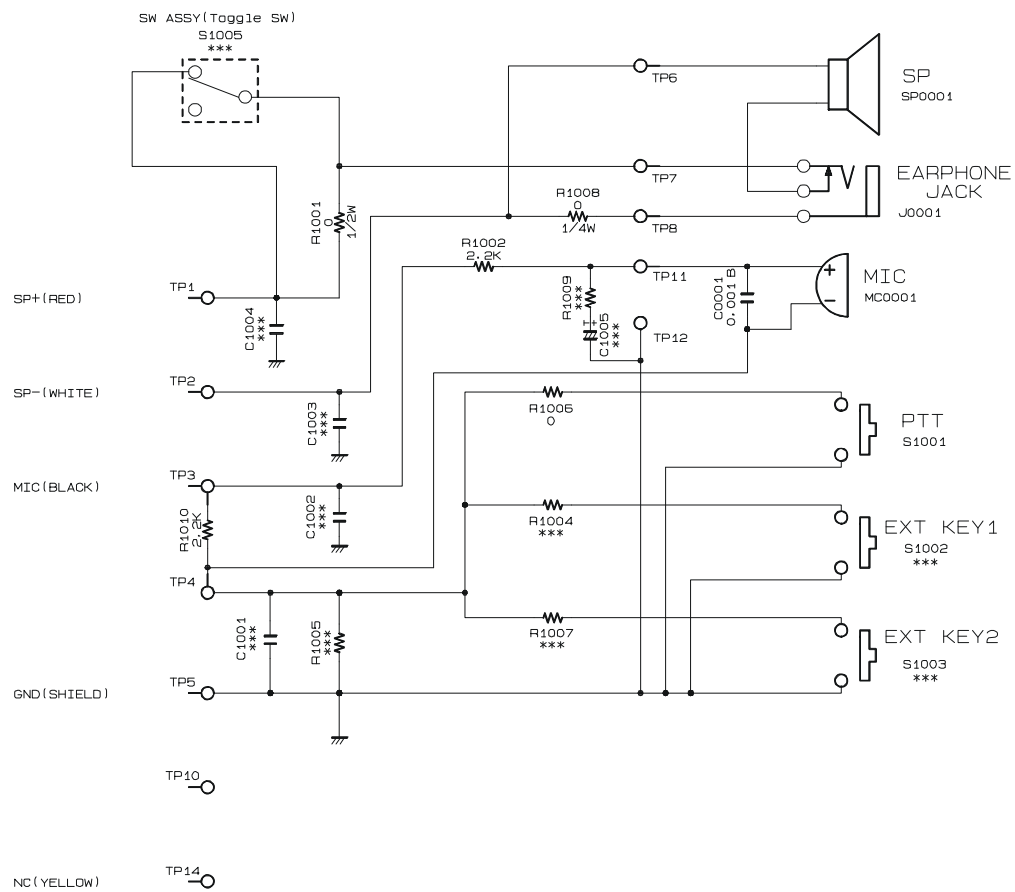


MH-66B7A Circuit Diagram (Lot. 1 ~ 93)

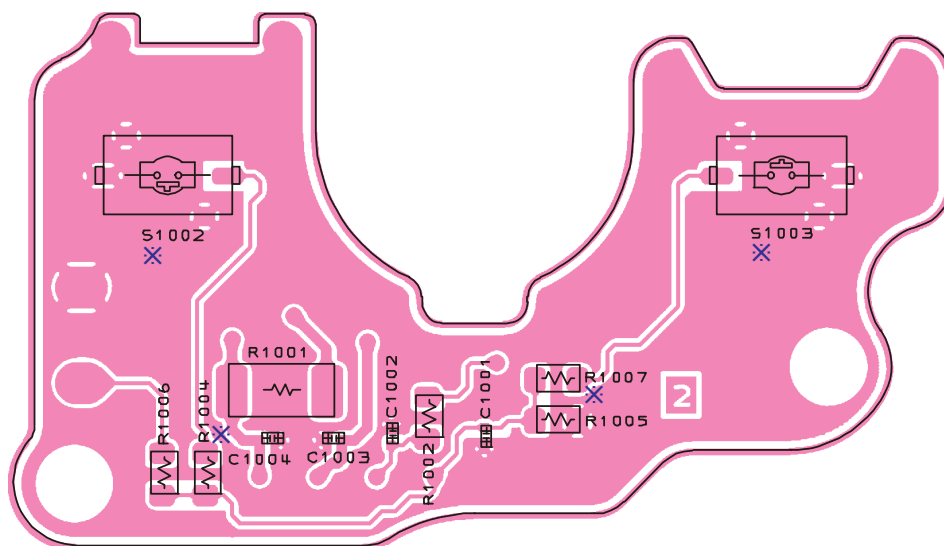


MH-66A4B Circuit Diagram

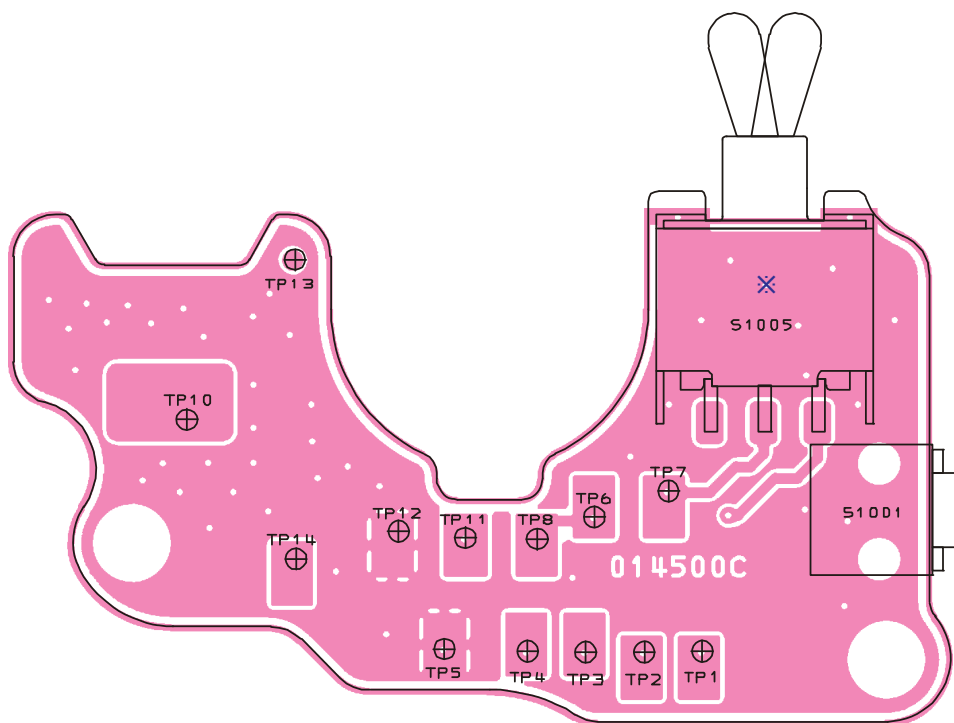
MH-66A7A/B7A Circuit Diagram (Lot. 94 ~)



MH-66A7A/B7A Parts Layout (Lot. 1 ~ 13)



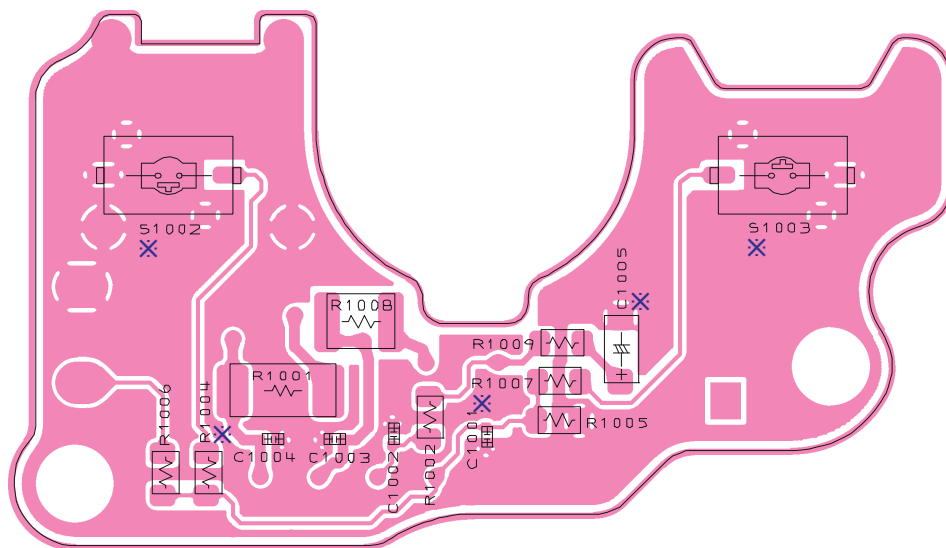
Side A



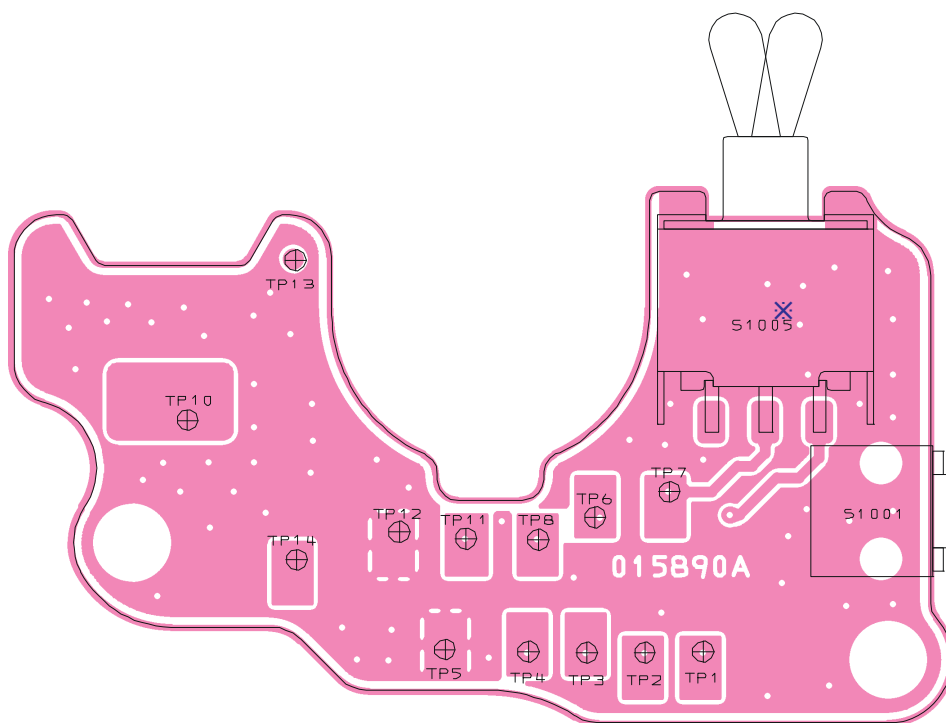
Side B

※: These parts have installed only the microphone of "MH-66B7A".

MH-66A7A/B7A Parts Layout (Lot. 14 ~ 93)



Side A

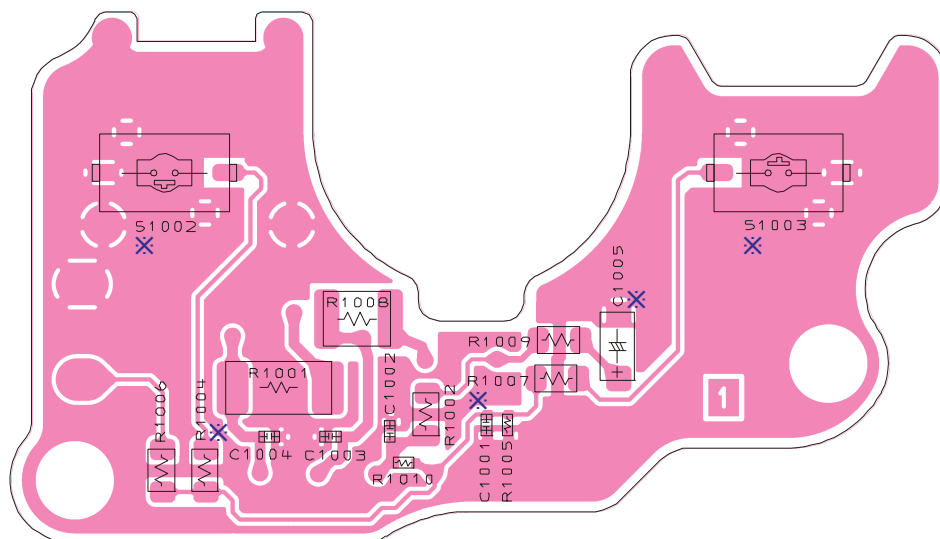


Side B

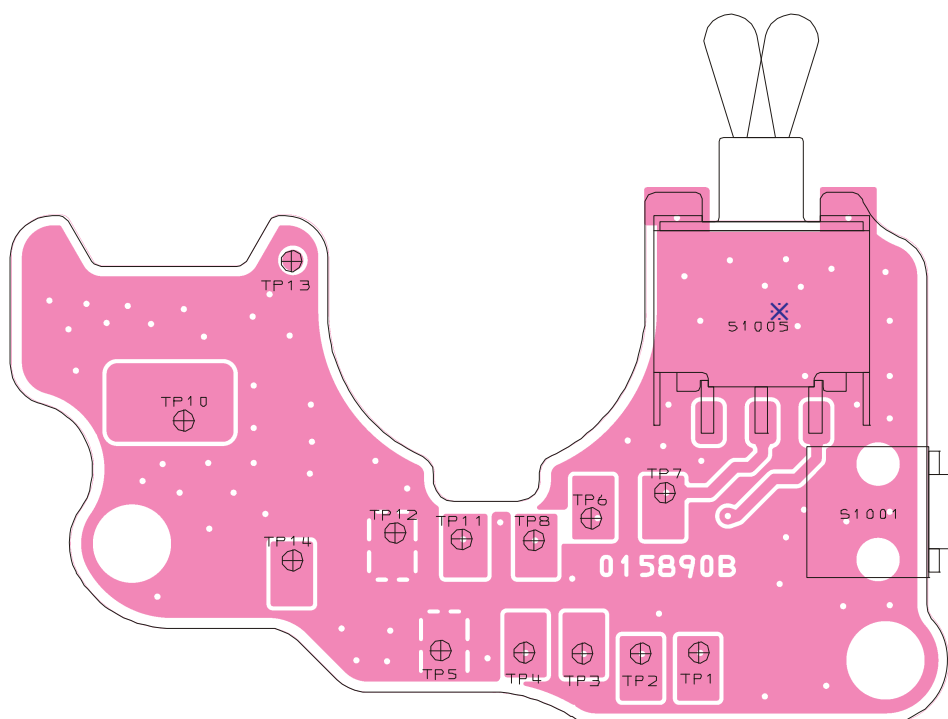
✖: These parts have installed only the microphone of "MH-66B7A".

MH-66A4B Parts Layout

MH-66A7A/B7A Parts Layout (Lot. 94 ~)



Side A



Side B

※: These parts have installed only the microphone of "MH-66B7A".

Parts List

REF.	DESCRIPTION	VALUE	V/W	TOL.	MFR'S DESIG	VXSTD P/N	VERS.	LOT.	SIDE	LAY	ADR
*** MIC-UNIT ***											
C 1005	TANTALUM CAP.	10uF	16V		TPDN1C100M8S(MX0)	K76120019		11-13			
C 1005	CHIP TA.CAP.	10uF	16V		TEESVA1C106M8R	K78120077		14-			
R 1001	CHIP RES.	0	1/2W	5%	RMC1/2 JPATE	J24275000	A4B/A7A	1-			
R 1001	CHIP RES.	68	1/2W	5%	RMC1/2 680JCTP	J24275680	B7A	1-			
R 1002	CHIP RES.	8.2k	1/10W	5%	RMC1/10T 822J	J24205822		1-			
R 1002	CHIP RES.	2.2k	1/10W	5%	RMC1/10T 222J	J24205222	A4B	1-			
R 1004	CHIP RES.	22k	1/10W	5%	RMC1/10T 223J	J24205223	B7A	1-			
R 1005	CHIP RES.	27k	1/10W	5%	RMC1/10T 273J	J24205273		1-33			
R 1005	CHIP RES.	27k	1/16W	5%	RMC1/16S 273JTH	J24189042		34-			
R 1006	CHIP RES.	2.2k	1/10W	5%	RMC1/10T 222J	J24205222	A7A/B7A	1-			
R 1006	CHIP RES.	0	1/10W	5%	RMC1/10T 000J	J24205000	A4B	1-			
R 1007	CHIP RES.	6.8k	1/10W	5%	RMC1/10T 682J	J24205682	B7A	1-			
R 1008	CHIP RES.	0	1/4W	5%	RMC1/4 000JATP	J24245000		14-			
R 1009	CARBON FILM RES.	1k	1/6W	5%	RD16TPJ102 1K	J07225102		11-13			
R 1009	CHIP RES.	1k	1/10W	5%	RMC1/10T 102J	J24205102		14-40			
R 1009	CHIP RES.	1k	1/10W	5%	RMC1/10T 102J	J24205102		41-			
R 1010	CHIP RES.	2.2k	1/16W	5%	RMC1/16 222JATP	J24185222	A4B	1-100			
R 1010	CHIP RES.	2.2k	1/16W	5%	RMC1/16S 222JTH	J24189029	A4B	101-			
S 1001	TACT SWITCH				SKRDLBA010	N5090148		1-			
S 1002	TACT SWITCH				SKQYPAE010	N5090144	B7A	1-			
S 1003	TACT SWITCH				SKQYPAE010	N5090144	B7A	1-			
S 1005	TOGGLE SWITCH				ATE1D-6M3-14-Z	N2090077	B7A	1-			
	HOLDER PLATE				(TGL)	RA0207700	B7A	1-			
*** MAIN-ASSY ***											
C 0001	CHIP CAP.	0.001uF	50V	B	GRM40B102M50PT	K22170805		1-			
J 0001	CONNECTOR				HSJ1857-016220	P1090861		1-			
JP0001	WIRE ASSY				RED 30 (3)/(3)	T51203012		1-			
JP0002	WIRE ASSY				BLK 30 (3)/(3)	T51003012		1-			
JP0003	WIRE ASSY				RED 50 (3)/(3)	T51205012		1-			
JP0004	WIRE ASSY				BLK 50 (3)/(3)	T51005012		1-			
JP0005	WIRE ASSY				ORG 50 (3)/(3)	T51305012		1-			
JP0006	WIRE ASSY				BLU 50 (3)/(3)	T51605012		1-			
MC0001	MIC. ELEMENT				EM-114	M3290033		1-			
P 0001	WIRE ASSY				AAE46X007	T9207547	A4B/A7A	94-			
P 0001	WIRE ASSY				KP-281-F1-7P	T9207293	B7A	1-54			
P 0001	WIRE ASSY				KP-281-F1-7P	T9207293A	B7A	55-			
P 0002	WIRE ASSY				KP-281-F1-7P	T9207293	A7A	1-54			
P 0002	WIRE ASSY				KP-281-F1-7P	T9207293A	A7A	55-			
SP0001	SPEAKER	4-ohm			A-S0000036-004	M4090192B	A4B	94-107			
SP0001	SPEAKER	4-ohm			36N-D2114B	M4090214	A4B	108-			
SP0001	SPEAKER	16-ohm			300891 0.5W/16-OHM	M4090141	A7A/B7A	1-8			
SP0001	SPEAKER	16-ohm			AC033 0.5W/16-OHM	M4090181	A7A/B7A	9-			